

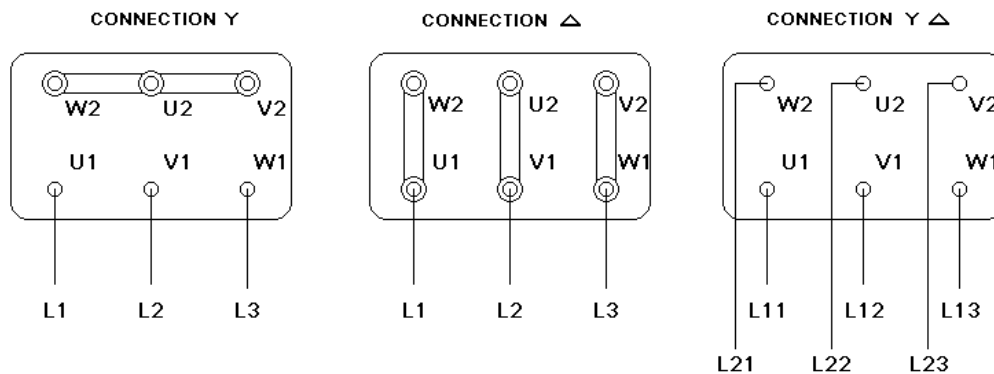
## MOTOR ELECTRIC CONNECTION

### TRIPHASE MOTOR

The electric triphase motors in standard execution can indifferently work in the two senses of rotation.

Connect the cables as indicated in the drawing.

You can change the direction by reversing the connection cables L1,L2



### SINGLE PHASE MOTOR

The electric motors single phase in standard execution can indifferently work in the two senses of rotation.

To change the direction, connect the capacitor to the clamp U2, V2

